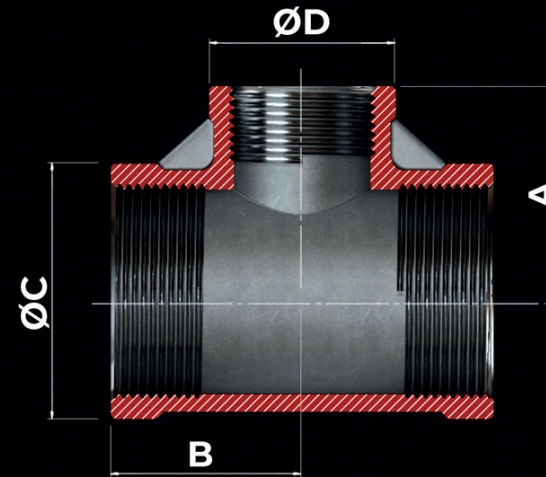


Tee de Redução



DN	A	B	ØC	ØD
3/8" x 1/4"	22,0	20,0	20,3	17,0
1/2" x 1/4"	24,0	24,0	27,0	17,0
1/2" x 3/8"	25,0	26,0	27,0	20,3
3/4" x 3/8"	28,0	28,0	32,0	20,3
3/4" x 1/2"	30,0	29,0	32,0	27,0
1" x 1/2"	34,0	32,0	40,3	27,0
1" x 3/4"	36,0	33,5	40,3	32,0
1.1/4" x 1/2"	37,5	34,0	49,5	32,0
1.1/4" x 3/4"	40,0	36,0	49,5	32,0
1.1/4" x 1"	42,0	40,0	49,5	40,5
1.1/2" x 1/2"	41,0	34,7	55,0	27,0
1.1/2" x 3/4"	43,0	37,7	55,0	32,0
1.1/2" x 1"	45,0	41,0	53,5	38,5
1.1/2" x 1.1/4"	46,5	46,0	56,0	49,8

Matéria Prima

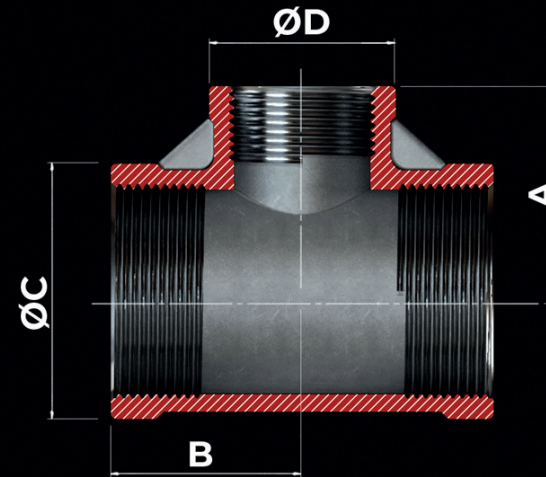
Aço Inoxidável ASTM
A351 CF8 (304)

Extremidades

BSP 150#

Todas as medidas poderão sofrer
alterações sem aviso prévio

Tee de Redução



DN	A	B	ØC	ØD
2" x 1/2"	47,0	35,5	67,5	27,0
2" x 3/4"	48,5	38,0	67,5	32,0
2" x 1"	50,0	41,5	67,5	38,5
2" x 1.1/4"	53,0	47,0	67,5	49,5
2" x 1.1/2"	53,5	50,0	67,5	55,0
2.1/2" x 1/2"	53,5	40,5	82,8	27,0
2.1/2" x 3/4"	53,0	45,0	82,8	32,0
2.1/2" x 1"	59,0	48,0	82,8	40,3
2.1/2" x 1.1/2"	62,0	55,0	83,0	54,0
2.1/2" x 2"	65,0	60,0	82,8	67,3
3" x 1/2"	60,0	47,0	97,0	27,0
3" x 3/4"	65,0	49,0	98,0	32,0
3" x 2"	73,0	63,0	98,0	67,0
3" x 2.1/2"	75,0	72,0	97,0	83,0
4" x 2"	87,0	67,7	122,5	67,0
4" x 2.1/2"	90,0	78,0	122,5	83,5
4" x 3"	92,3	83,3	122,5	97,0

Matéria Prima

Aço Inoxidável ASTM
A351 CF8 (304)

Extremidades

BSP 150#

Todas as medidas poderão sofrer
alterações sem aviso prévio