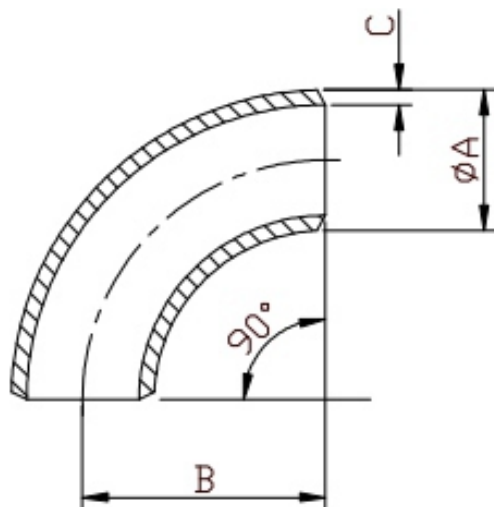


Curva 90° Raio Longo ANSI B16.9



DN	A	B	C			
			SCH 5S.	SCH 10S.	SCH 40S.	SCH 80S.
1/2"	21.30	38.10	1.65	2.11	2.77	3.73
3/4"	26.70	38.10	1.65	2.11	2.87	3.91
1"	33.40	38.10	1.65	2.77	3.38	4.55
1.1/4"	42.20	47.80	1.65	2.77	3.56	4.85
1.1/2"	48.30	57.20	1.65	2.77	3.68	5.08
2"	60.30	76.20	1.65	2.77	3.91	5.54
2.1/2"	73.00	95.30	2.11	3.05	4.16	7.01
3"	88.90	114.30	2.11	3.05	5.49	7.62
4"	114.30	152.40	2.11	3.05	6.02	8.56
5"	141.30	190.50	2.77	3.40	6.55	9.53
6"	168.30	228.60	2.77	3.40	7.11	10.97
8"	219.10	304.80	2.77	3.76	8.18	12.70
10"	273.10	318.00	3.40	4.19	9.27	12.70
12"	323.90	457.20	3.96	4.57	9.53	12.70
14"	355.60	533.40	3.96	4.78		
16"	406.40	609.60	4.20	4.78		
18"	457.20	685.80	4.20	4.78		
20"	508.00	762.00	4.78	5.54		
22"	558.80	838.20	4.78	6.35		
24"	609.60	914.40	5.54	6.35		

Dimensões em mm.